

MES

MECHANICAL ENGINEERING SOCIETY

DEPARTMENT OF MECHANICAL ENGINEERING

Mechanical Engineering Society (MES) is a students technical body in the Department of Mechanical Engineering, JUET (GUNA). The aim of MES is to help the students gain practical as well as theoretical knowledge. Students are provided with an opportunity to implement what they learn in their respective class rooms. A number of events are being organised by this society throughout the year.

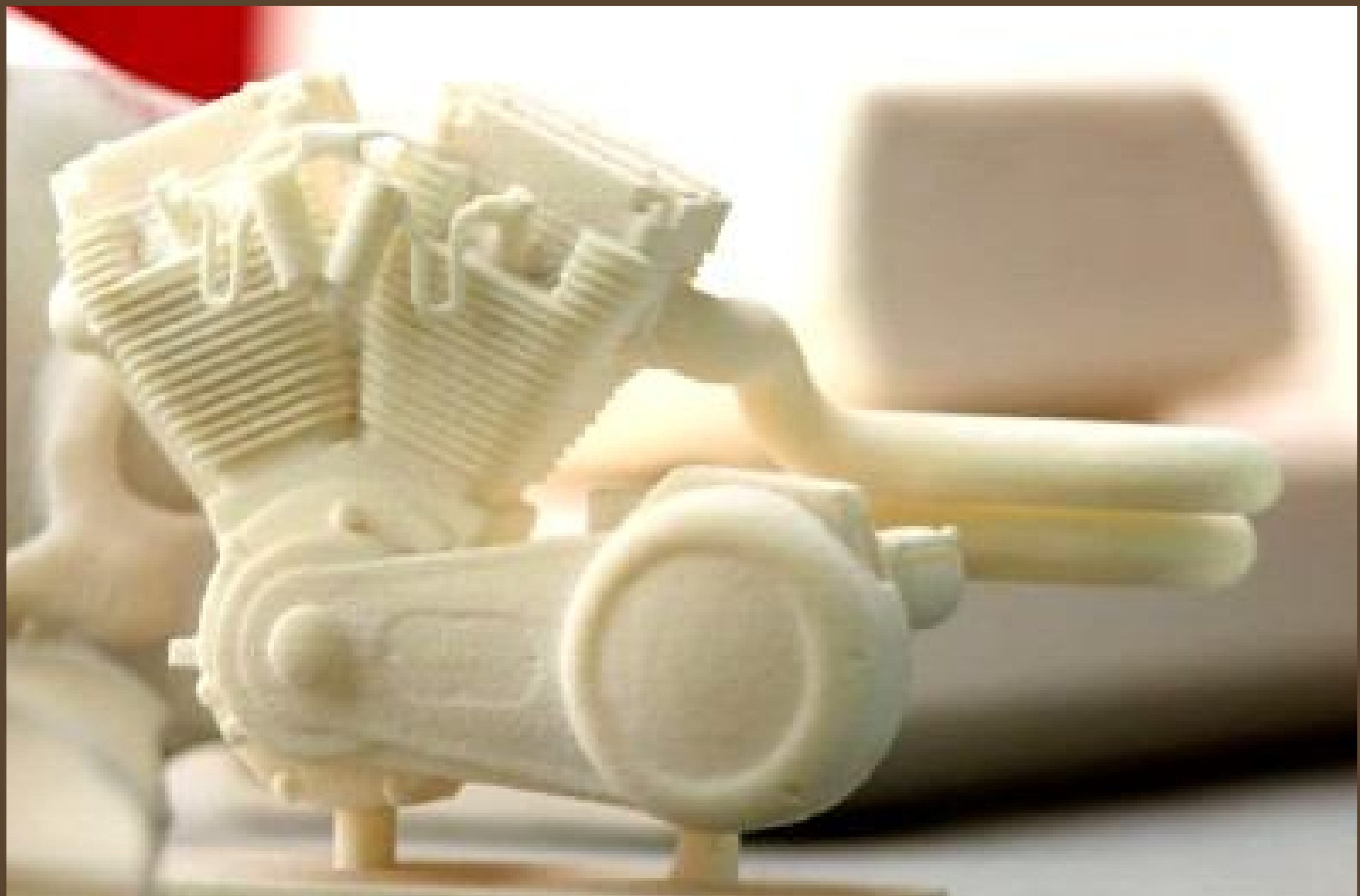
Algae Air Purifier





Yantraveshan







JUNK YARD



ASSEMBLE - DISASSEMBLE





FALLING CUP



Mono Race



Automobile Quiz



Hawk-Eye

EGG DROP

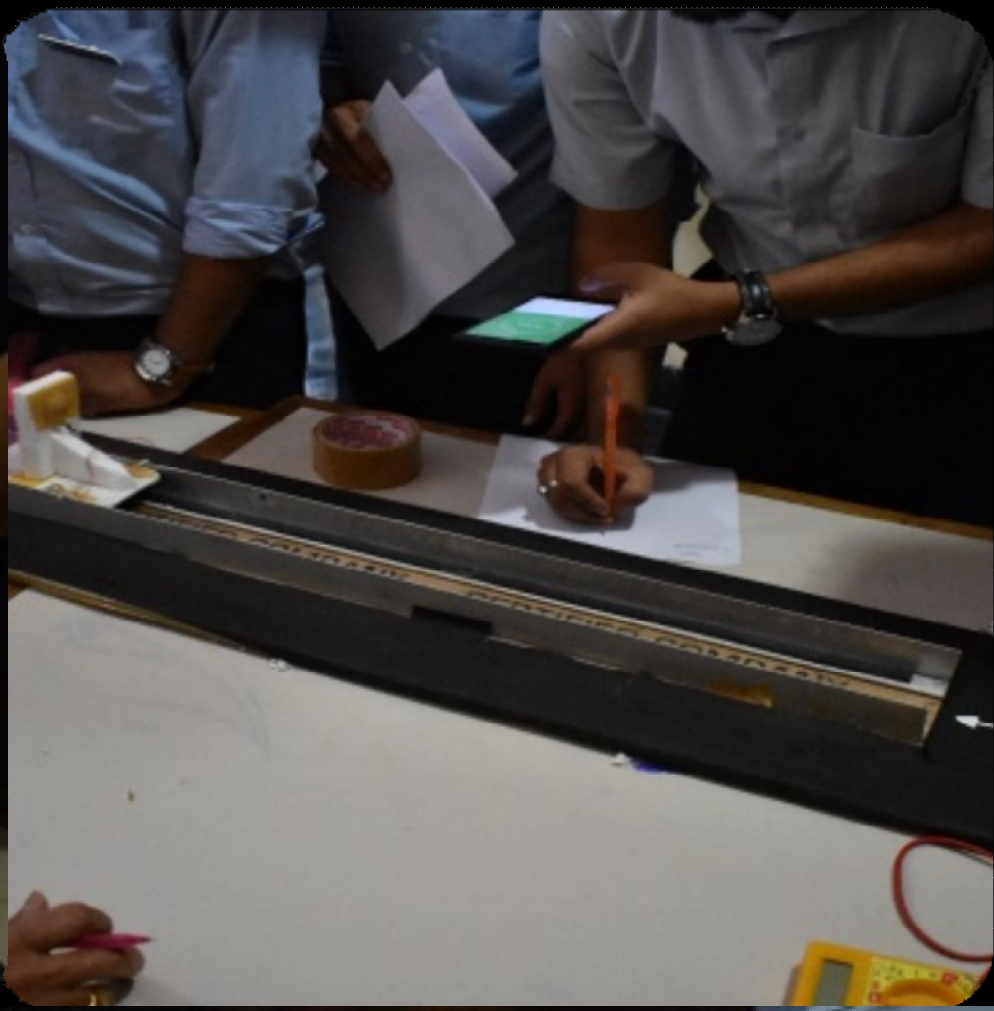




Projectile



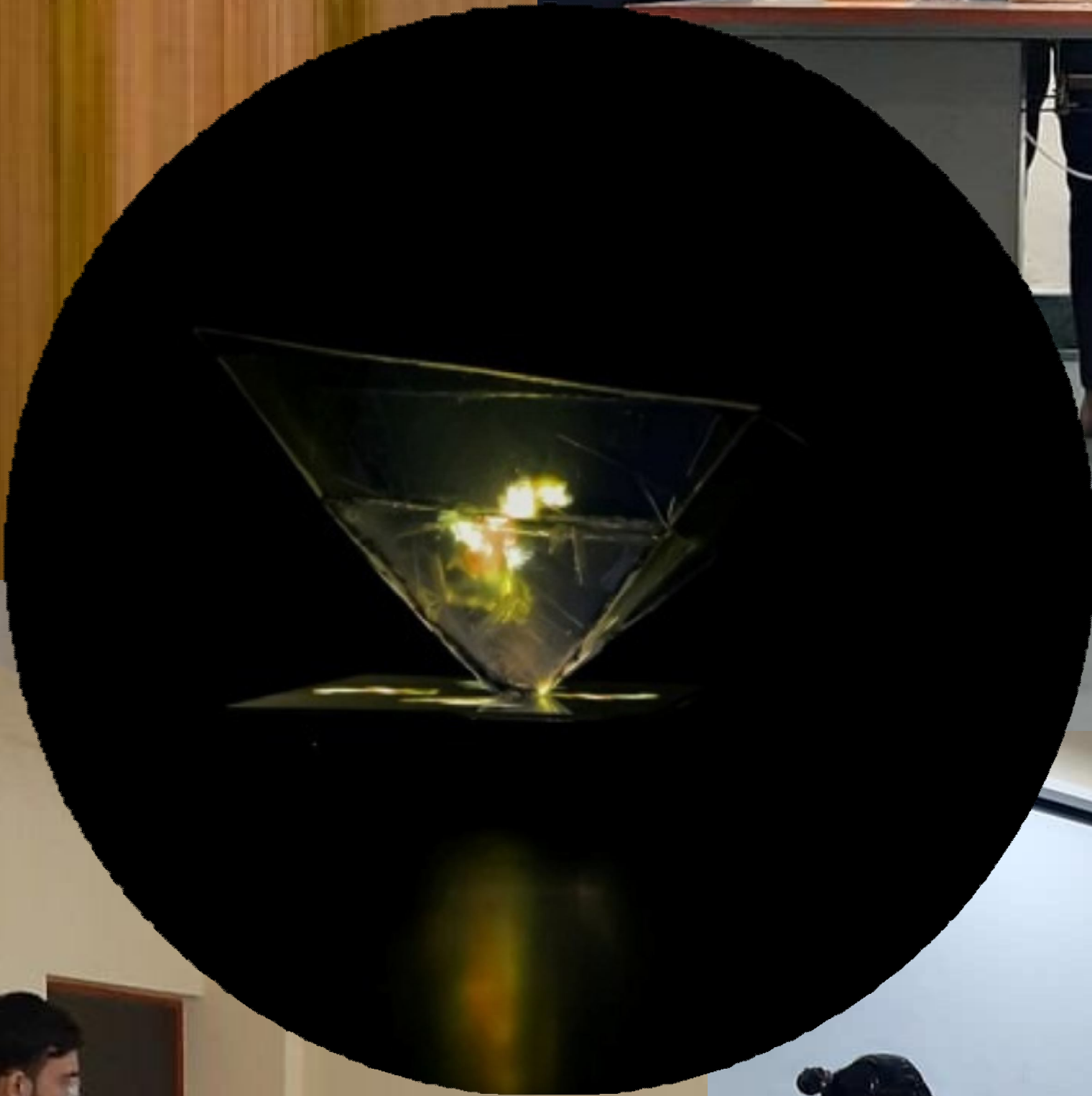




Maglev

Science Tricks





MES

SAEJUET



WHAT IF...?



THE HYPOTHETICAL REALITY



What If...?

MES

SAEJUET



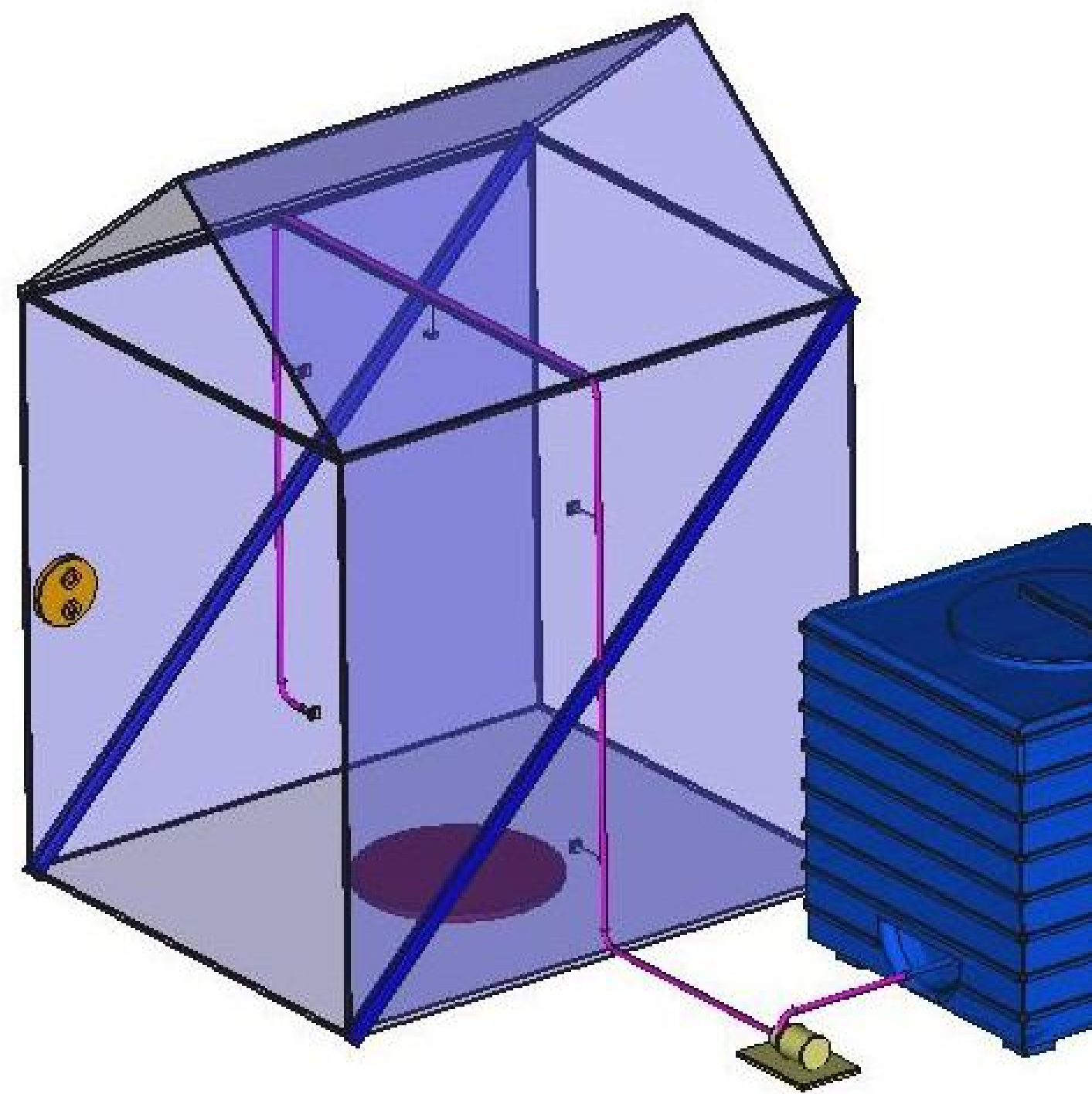
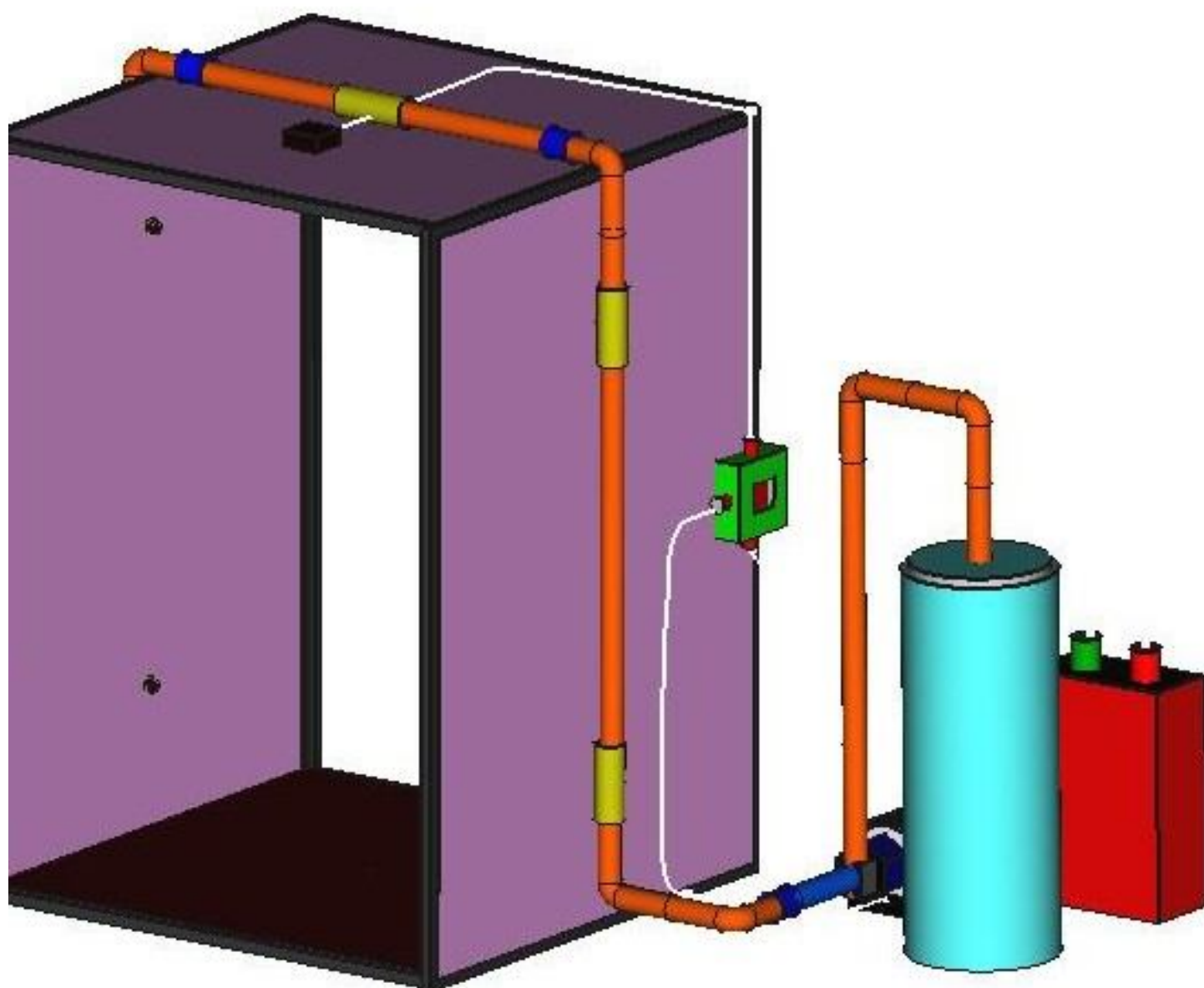
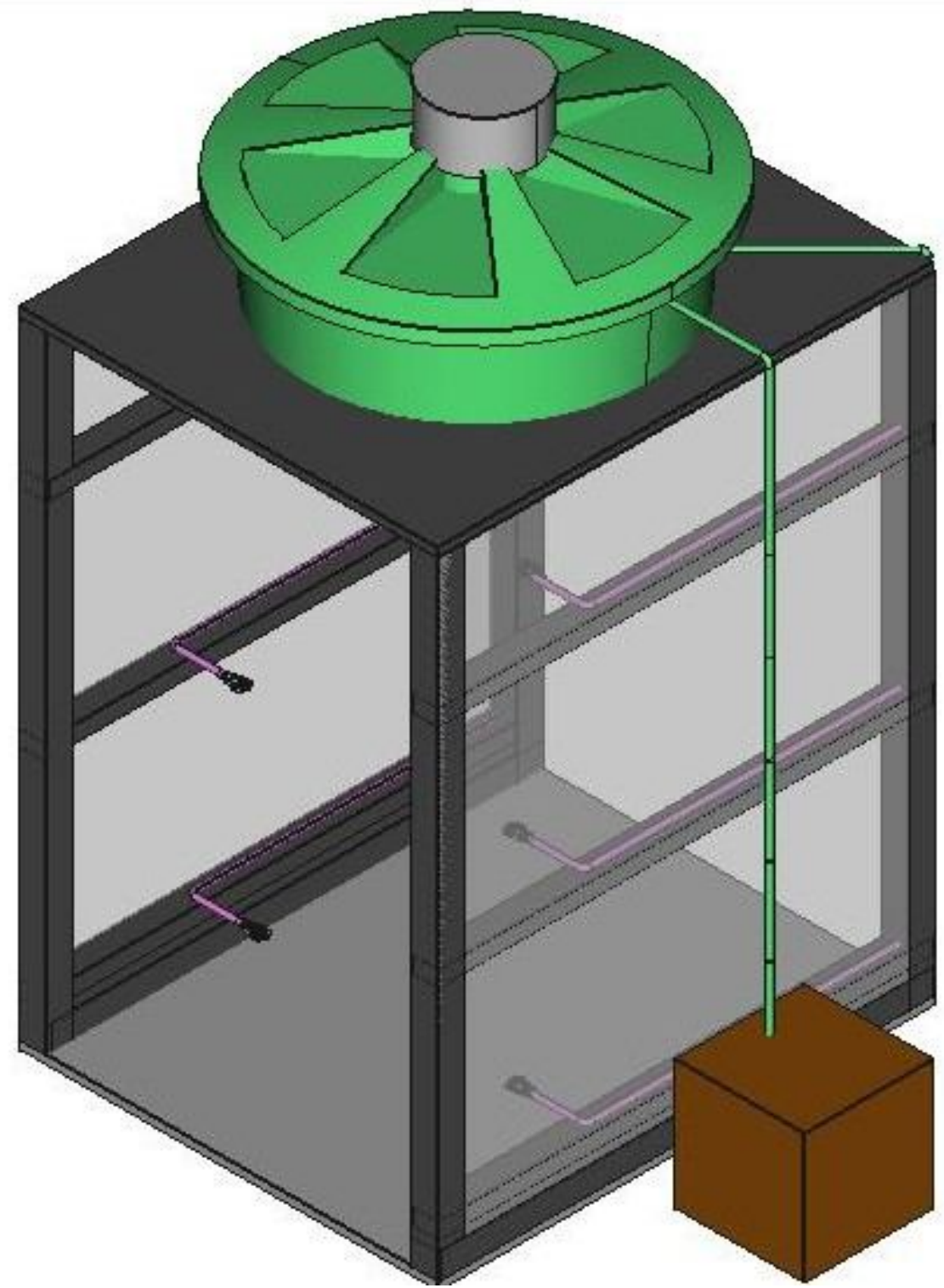
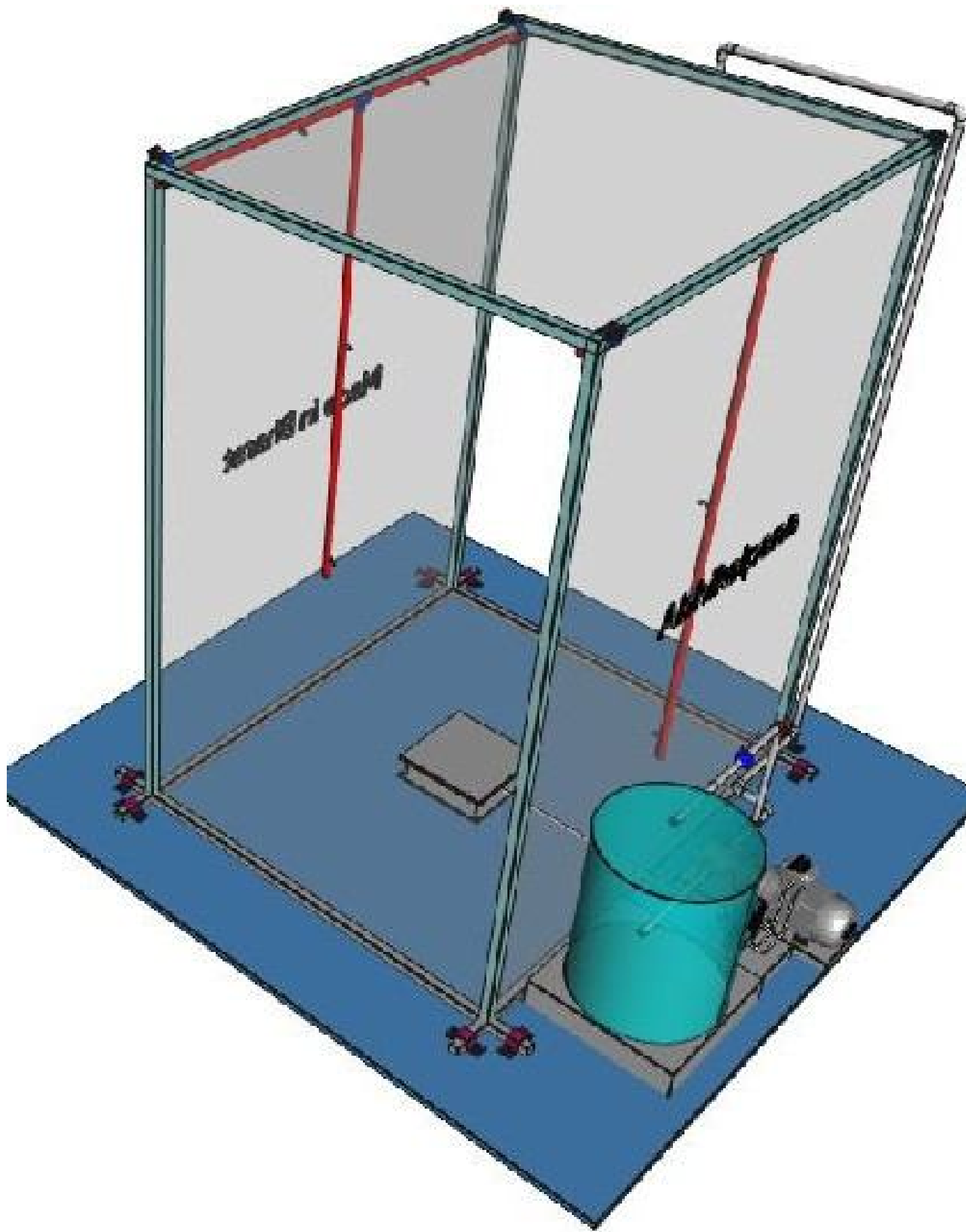
WHAT IF...?

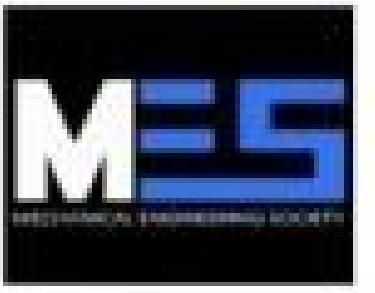


THE HYPOTHETICAL REALITY



CAD-ACTION





BIOGRAPHY: LIFE OF GREAT SCIENTIST



PARTICIPANTS HAVE TO

- DEMONSTRATE A POSTER
- DELIVER A PRESENTATION OR SPEECH

ON STRUGGLES AND ACHIEVEMENTS OF ANY GREAT SCIENTIST .

EVENT DATE

22 FEB 2022

Attractive





Distinguished Speakers

Mr. Sanjeev Singh
Unit Head: Hittich
India



Mr. Mukesh Tiwari
Operations Head:
Mahindra & Mahindra



Mr. Ravikesh Tripathi
Assistant
Commissioner (IRS)
Government of India
Bengaluru Zone
Alumnus ,
Mechanical
Engineering
Department, JUET,
(GUNA)



