

SAEINDIA COLLEGIATE CLUB OF JUET

SAEINDIA COLLEGIATE CLUB of JUET was founded in October of 2014. It gives students an environment to learn and develop actual engineering skills while also encouraging them to engage in various national and international events.



Mechanical Engineering Department

Jaypee University of Engineering and Technology, GUNA

The SAE Baja is an event for the undergraduate engineering students, organized globally by the Society of Automotive Engineers, India. The SAE Baja tasks the students to design, fabricate and validate a single seater four-wheeled off road vehicle to take part in series of events spread over a course of 3 days.

RCDC – 2019

Rally Car Design Challenge (RCDC) is an engineering design challenge for the new engineers of the country. In this event, participants need to design a two-seater buggy that is aesthetically and ergonomically sound. The main aim of RCDC is to train students about how the automobile industry works so teams will have to work and function like an automotive company in which they develop this product and launch it in the market and sell. In this event, we are extremely happy to share that our JUET sponsored team 'ARDENT CLAN' was 2nd runner up in extreme category.



SAEINDIA
Society of Automotive Engineers INDIA



COLLEGIATE CLUB CERTIFICATE

SAEICCNSI

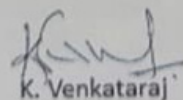
SAEINDIA Recognizes the formation of

SAEINDIA COLLEGIATE CLUB

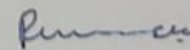
of

JAYPEE UNIVERSITY OF ENGINEERING & TECHNOLOGY, GUNAWAR

for academic Year 2021- 2022


K. Venkataram

Dy Director General



Rashmi Urdhwarsh
President

J. Munirathnam

J Munirathnam
EEB, Chair



RALLY CAR DESIGN CHALLENGE

RCDC

2ND RUNNERUP - OVERALL
EXTREME CATEGORY

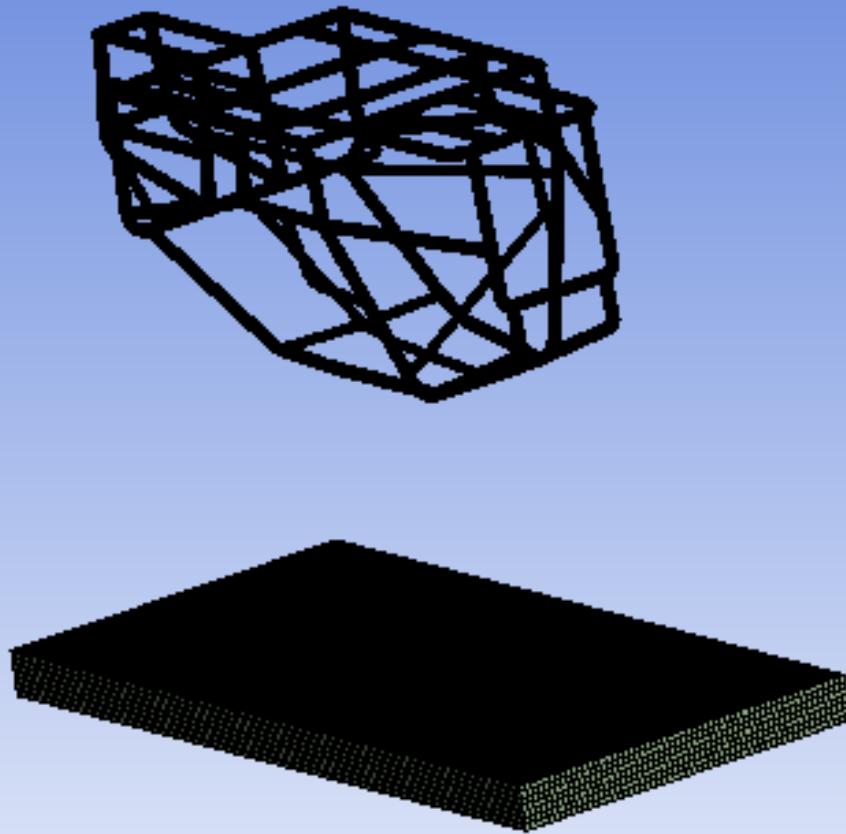






Glimpses of RCDC – 2018





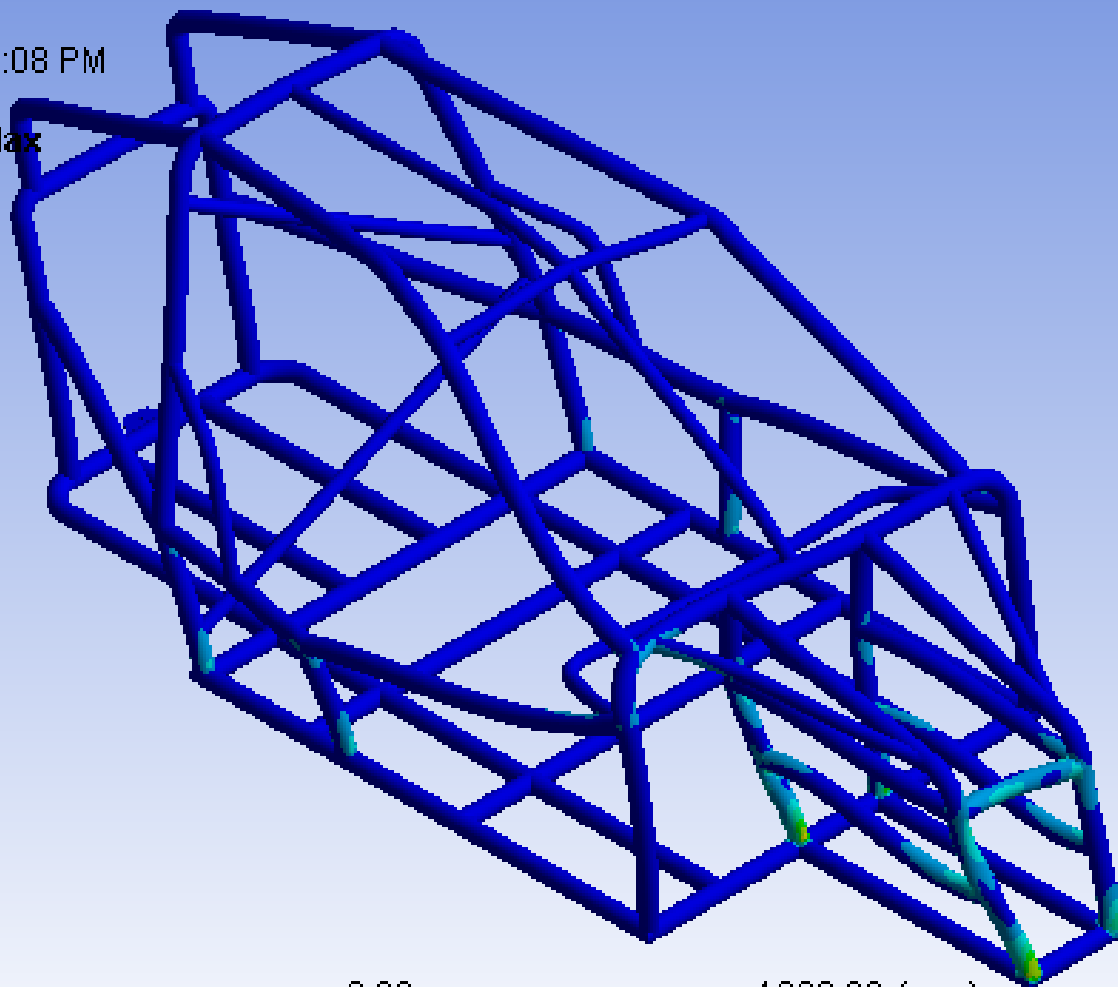
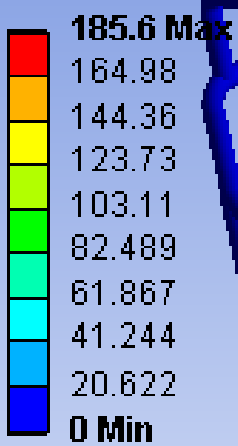
Equivalent stress

Type: Equivalent (von-Mises) Stress

Unit: MPa

Time: 1

9/27/2017 9:08 PM



Directional Deformation
Type: Directional Deformation (Y Axis)
Unit: mm
Global Coordinate System
Time: 7.0002e-004
9/28/2017 5:47 AM

